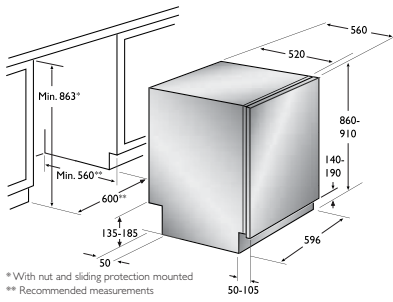
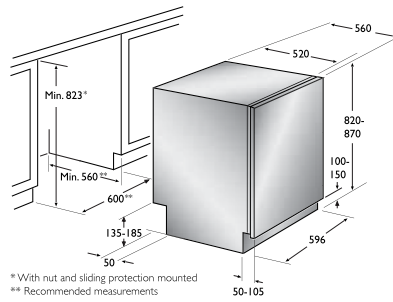


Installation drawings

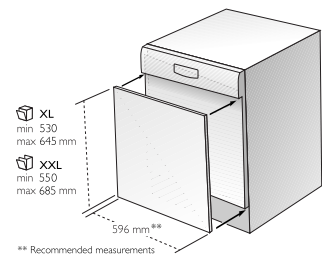
Dishwasher XXL



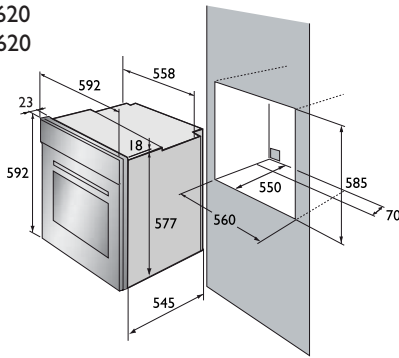
Dishwasher XL



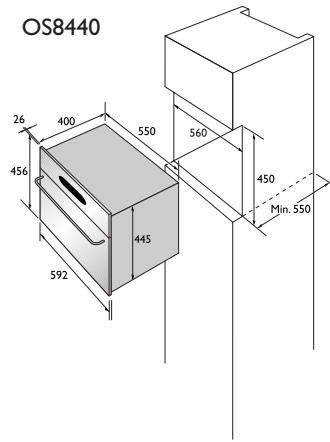
Semi integrated Dishwasher



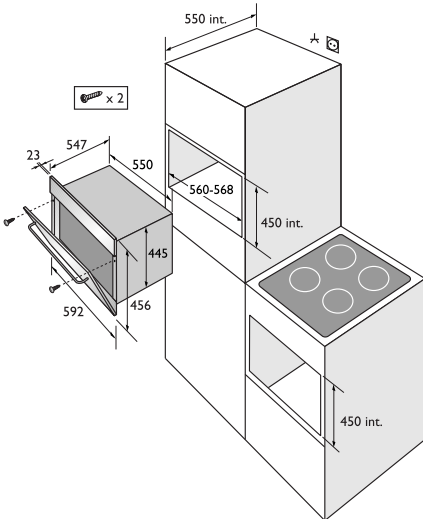
OP8650
OP8640
OP8620
OT8620



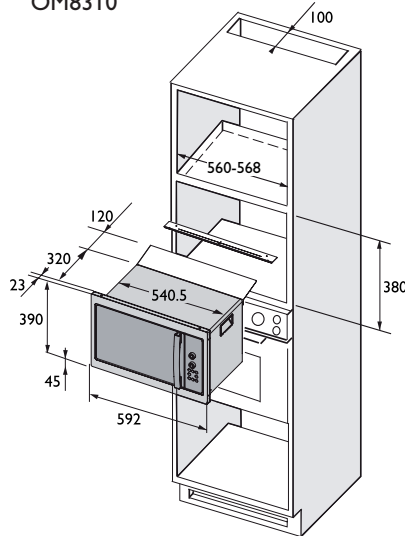
OS8440



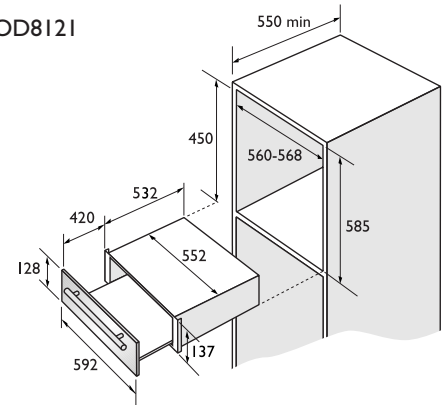
OC8430



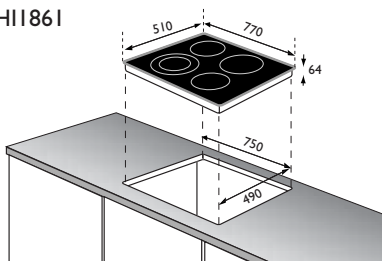
OM8310



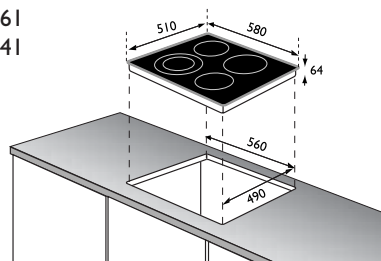
OD8121



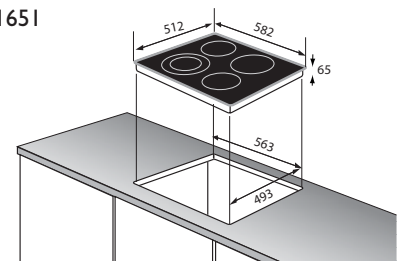
HII861



HII661
HII641

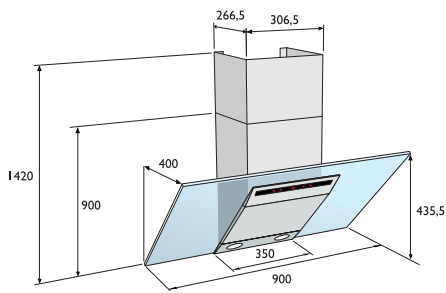


HCI651

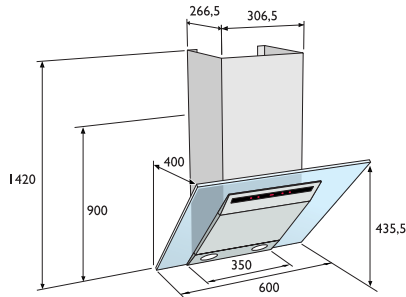


Installation drawings

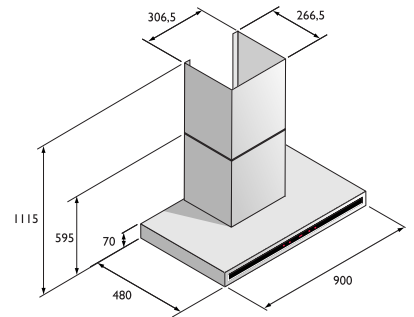
CW497I



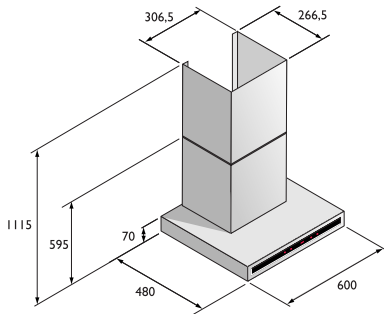
CW467I



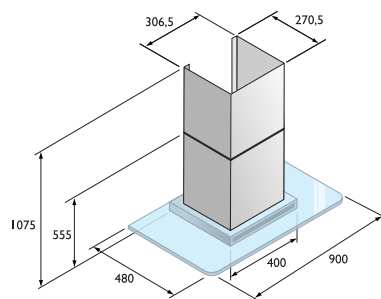
CW495I



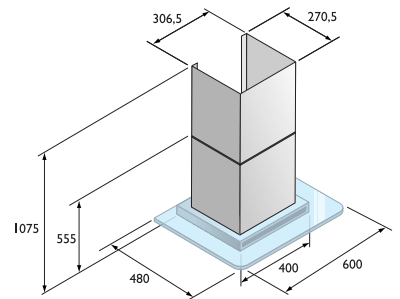
CW465I



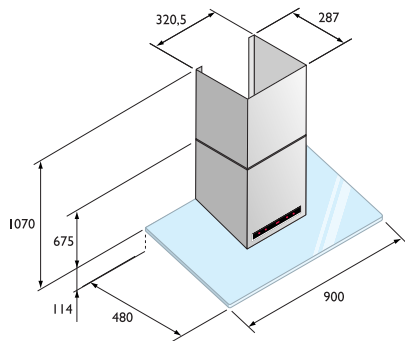
CW493I



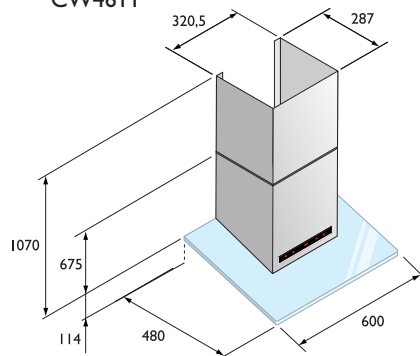
CW463I



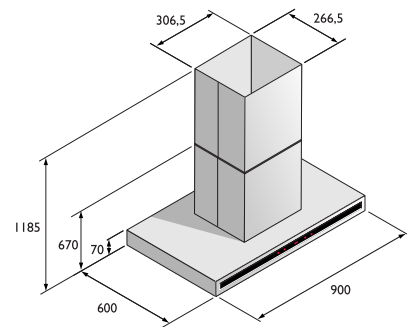
CW491I



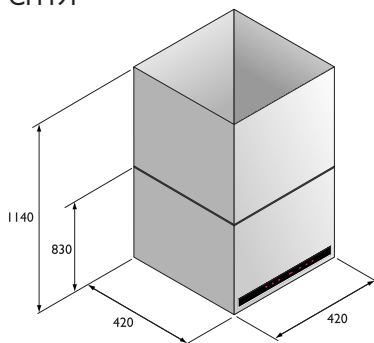
CW461I



CI495I



CI449I



As an important part in our environmental work we have taken the natural choice to print this brochure on FSC labelled paper.

